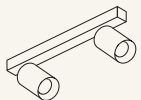


# THE MIC D

by ELLISELLIS



ELLIS  
ELLIS

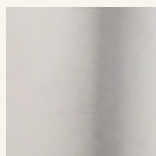
The Mic D is the modern minimalistic and compact double spotlight inspired by the iconic microphone of the greatest jazz singers in the 1920's and 1930's.

As a single mounted double spotlight The Mic D is a part of The Mic series. A series of spotlights, downlights, wall lights and pendants crafted in premium materials and available with various types of installation options and color combinations made by ELLISELLIS.

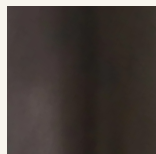
The Mic D is a versatile double spotlight with maximum flexibility and a great light.



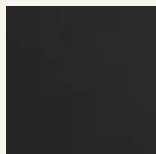
Brushed Brass



Brushed Nickel



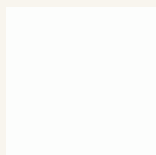
Patinated Brass



Powder Black  
(Semi-matt structure)



Black Gunmetal  
(Matt smooth)



Powder White  
(Semi-matt structure)

## Technical Specifications

### PRODUCT TYPE

Single adjustable double spot

### ENVIRONMENT

Indoor

### COLOURS

Brushed Brass  
Patinated Brass  
Black Gunmetal  
Brushed Nickel  
Powder Black  
Powder White

### BASE COLOURS

Powder Black  
Powder White

### MATERIALS

Brass, Aluminium, ABS

### MAINTENANCE

Maintenance of brass can occur.  
Brass is a living material and patinas continuously.  
The brass is untreated.

### VOLTAGE

CE: 220-240V  
No driver needed

### LIGHT SOURCE

Replacable LED GU10 230V MAX 7,5W  
Recommended bulb V95, tested with product

### CLASSIFICATION

IP20

### CERTIFICATION

CE

### PACKAGING MEASUREMENTS

Cardboard box: L 360 mm x W 170 mm x D 95 mm

### DIMMER

Dimmable by external dimmer  
(Dimmable bulbs required)

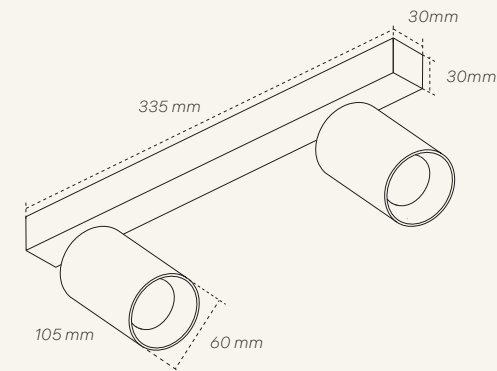
### INSTALLATION

Surface mounted. 2 screws. Included.  
(Series connection in included multi terminal)

### FUNCTION

355° rotate and 90° tilt

### SPOT MEASUREMENTS



ELLISELLIS  
Stockholmsgade 23  
DK-2100 Copenhagen Ø  
Denmark

+ 45 35 36 37 22  
info@ellisellis.com

ELLISELLIS.COM