

$\circ x_l(\text{amp})$

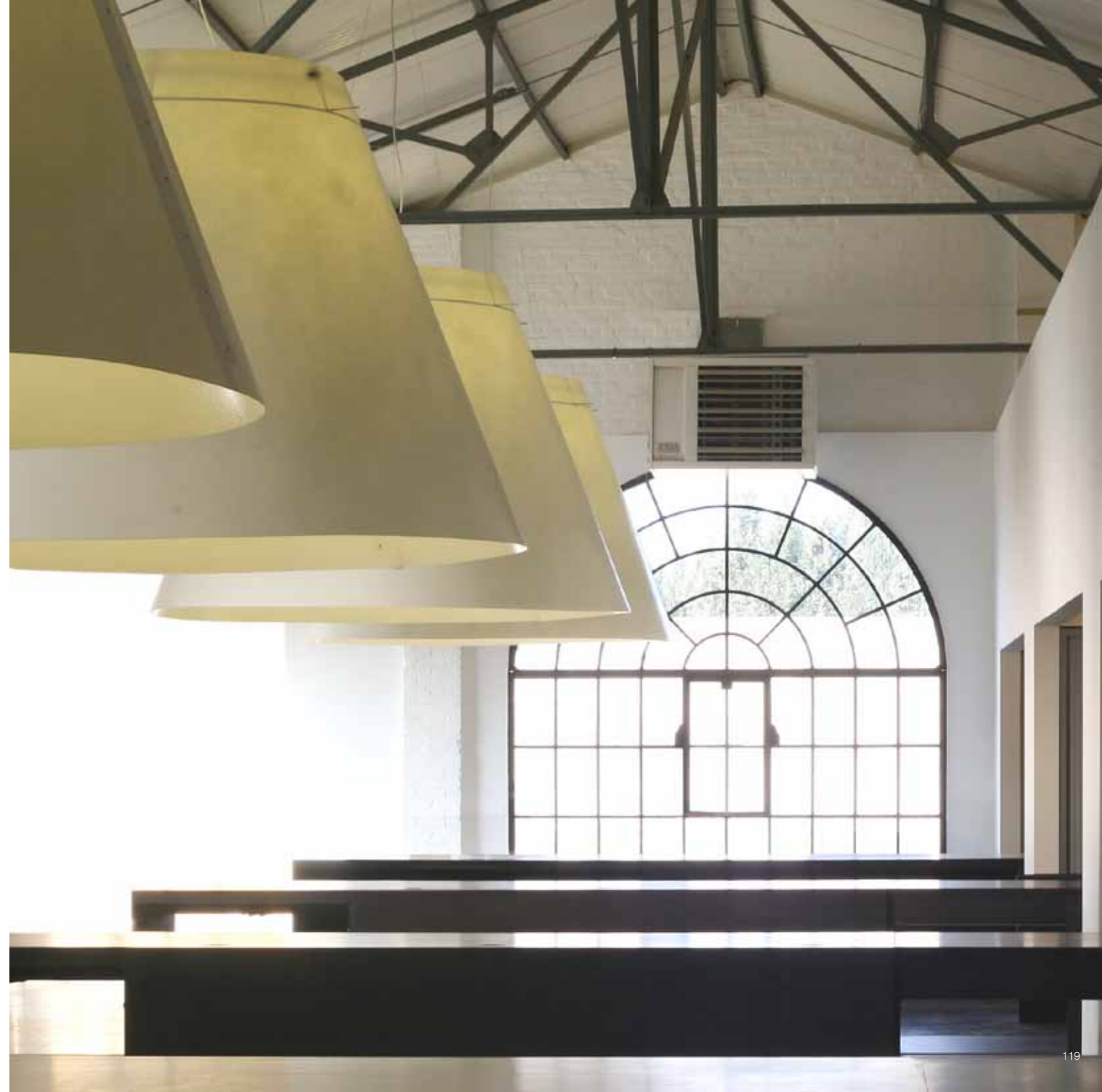
This lamp was initially designed to mark the edge of a fair booth and simultaneously present images on the inside. The lamp shade foil is foldable. This allows for easy transport and makes it possible to cover the lamp with a photo film. The lamp, by virtue of its size, defines its own space.

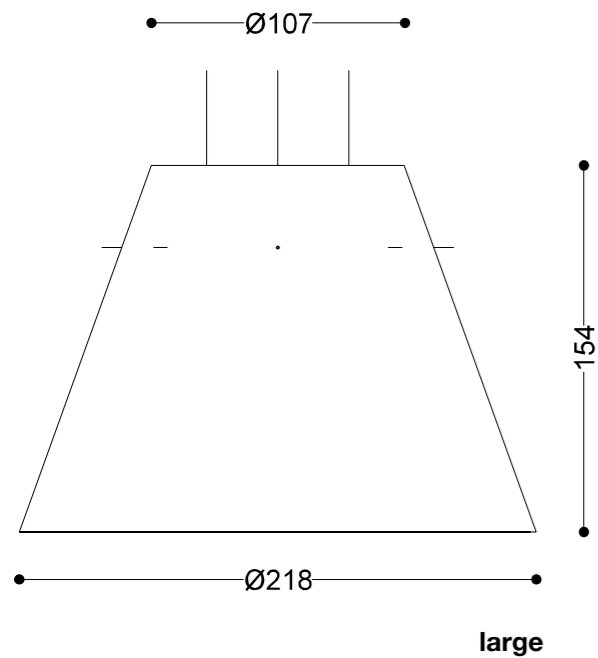
design by Bart Lens.







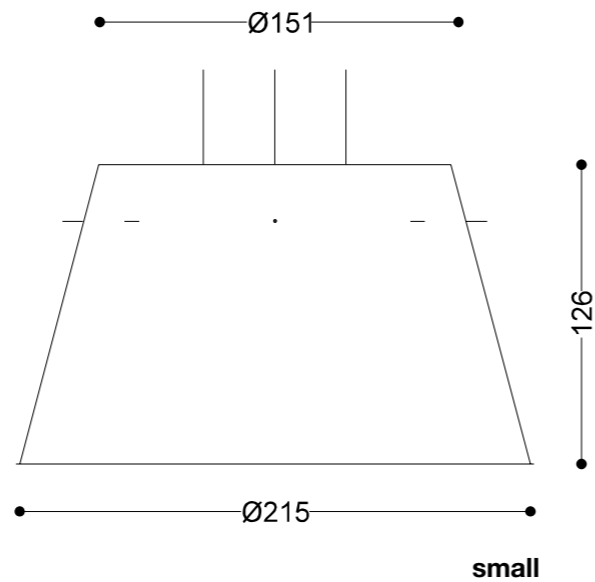




°xl(amp) large

- XL.154.140.000 Xlamp h 154 1 x E40 socket - excl lamp
- XL.154.127.RGB.M Xlamp h 154 1 x E27 socket + RGB LED Master on remote - excl lamp
- XL.154.127.RGB.S Xlamp h 154 1 x E27 socket + RGB LED Slave - excl lamp
- XL.154.127.RGB.DMX Xlamp h 154 1 x E27 socket + RGB LED DMX controllable - excl lamp

material: polyester - weight: max 34 kg - included : 2m cable, rosas, 3 suspension elements - 230VAC - max 1000W



°xl(amp) small

- XL.126.140.000 Xlamp h126 1 x E40 - excl lamp
- XL.126.127.RGB.M Xlamp h126 1 x E27 socket + RGB LED Master with remote control - excl lamp
- XL.126.127.RGB.S Xlamp h126 1 x E27 socket + RGB LED slave - excl lamp
- XL.126.127.RGB.DMX Xlamp h126 1 x E27 socket + RGB LED DMX controllable - excl lamp

°xl(amp) floor

- XL.154.140.FLR Xlamp h 235 1xE40 socket floor - excl lamp

material: polyester & steel - weight 36 kg - included : 2m cable - 230VAC - max 1000W

